

Proportional Valves

D1FB and D3FB with Onboard Electronics

aerospace
climate control
electromechanical
filtration
fluid & gas handling
hydraulics
pneumatics
process control
sealing & shielding



ENGINEERING YOUR SUCCESS.

Simply Digital

Modern hydraulic controls combine sophisticated valve technology on the mechanical side with easy to install and to commission electronics.

The direct operated proportional valves are designed for flow profiles in open loop systems. The high repeatability from valve to valve and low hysteresis make them also suitable for basic closed loop configurations.

Valve and electronics come factory set and can be operated without adjustment. Additionally the interface program ProPxD allows the setting of a number of functions, such as maximum flow setting, dead-band compensation and four independent ramps.

The $\pm 10\text{VDC}$ reference output allows to drive the valve with nothing more than a potentiometer or an analogue joystick.

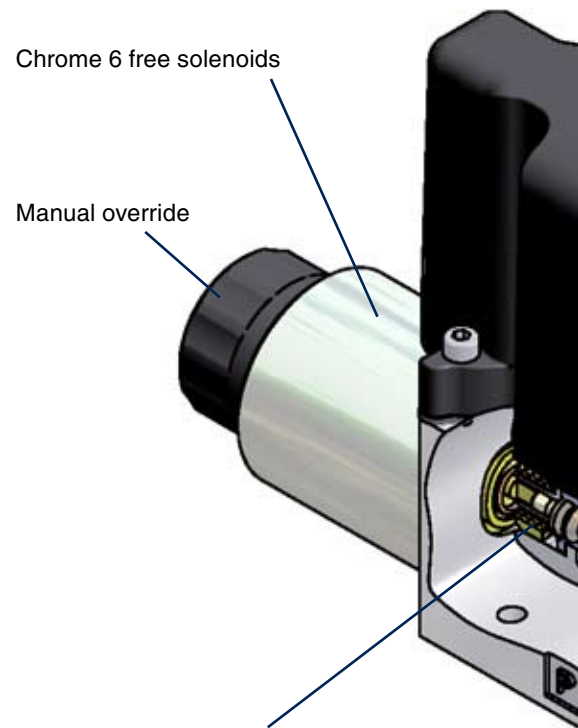
A basic oscilloscope function is integrated in the programming software for monitoring or set-up functions.

Technical features

- Valves with Spool/Sleeve or Spool/Body design
- Available in NG06 (CETOP03) and NG10 (CETOP05)
- Command signal $\pm 10\text{V DC}$ or 4-20mA
- $\pm 10\text{VDC}$ reference output
- Maximum flow limitation, dead band compensation
- 4 independent ramps
- 4 digital command signals (optional)

Advantages

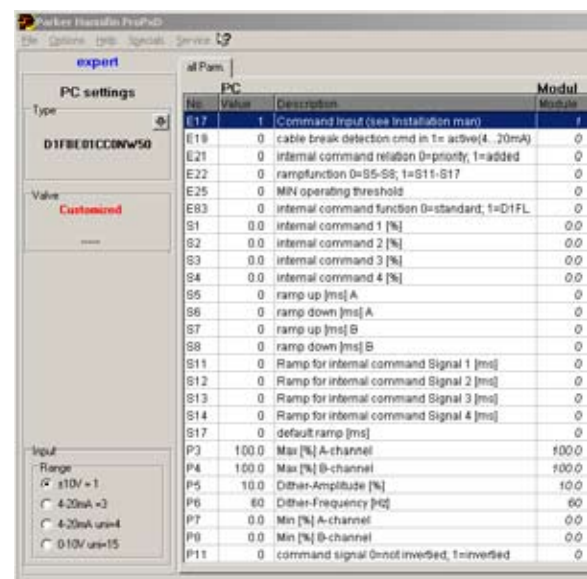
- High repeatability of flow characteristics from valve to valve
- Capable for basic closed loop systems
- Copy/Paste function for parameter sets
- Easy maintenance procedures

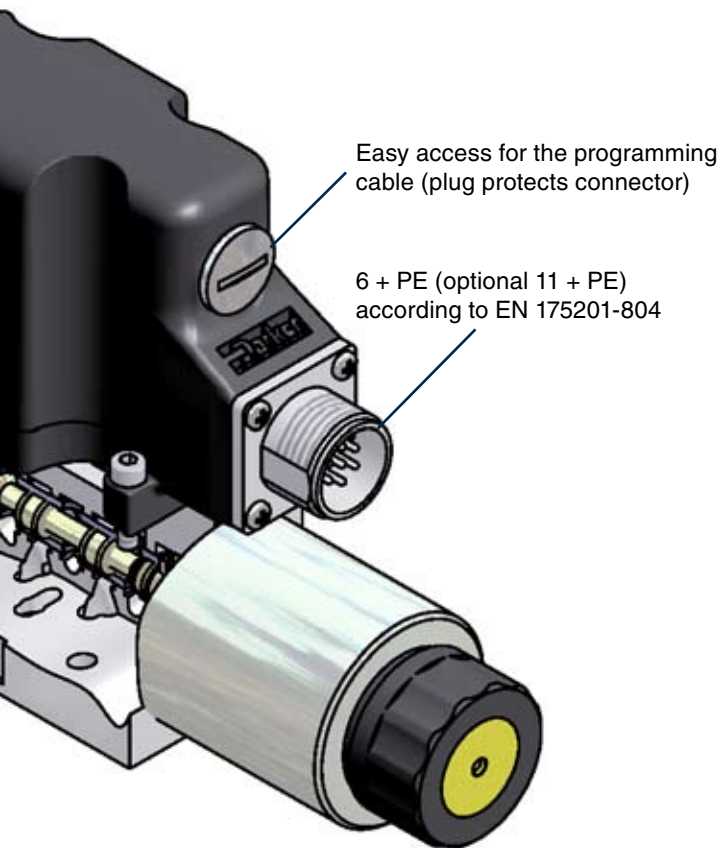


Spool/Sleeve design for low friction
⇒ low hysteresis and symmetrical flow

More functionality

Individual settings thanks to full data access
Optimal processing through limitation and compensation functions of parameter





Electrical Features

Ordering Code	F0	S0	W5
Analogue command signals	±10VDC	4...20mA	±10VDC 4...20mA
Digital command signals	–	–	4
Reference output (±10VDC)	•	–	•
Dead band compensation	•	•	•
Dither	•	•	•
Ramps	4	4	4
Max. flow limitation	•	•	•

Lower costs

Less installation efforts thanks to fast, easy set-up
 Less downtime through copy and paste function of the parameter sets
 Short delivery times, no warehousing

Hydraulic Features

	D1FB*0 Cetop3/ NG06	D3FB*0 Cetop5/ NG10	D3FB*3 Cetop5/ NG10
Spool design	Spool/ Sleeve	Spool/ Sleeve	Spool/ Body
Pressure P, A, B port	350 bar	350 bar	350 bar
Pressure tank port	210 bar	210 bar	210 bar
Flow [l/min]	6, 12, 20	40, 60	40, 60, 80
Hysteresis	< 4%	< 4%	< 5%

Easy configuration

The free user software ProPxD gives full access to the valve's electronic parameters. All accessible parameters can be changed, saved and duplicated. An integrated basic oscilloscope allows parameter optimization.



Visit www.parker.com/euro_hcd for programming software and documentation.

Your contact:
valveshcd@parker.com



Parker Worldwide

AE – UAE, Dubai
Tel: +971 4 8127100
parker.me@parker.com

AR – Argentina, Buenos Aires
Tel: +54 3327 44 4129

AT – Austria, Wiener Neustadt
Tel: +43 (0)2622 23501-0
parker.austria@parker.com

AT – Eastern Europe, Wiener Neustadt
Tel: +43 (0)2622 23501 970
parker.easteurope@parker.com

AU – Australia, Castle Hill
Tel: +61 (0)2-9634 7777

AZ – Azerbaijan, Baku
Tel: +994 50 2233 458
parker.azerbaijan@parker.com

BE/LU – Belgium, Nivelles
Tel: +32 (0)67 280 900
parker.belgium@parker.com

BR – Brazil, Cachoeirinha RS
Tel: +55 51 3470 9144

BY – Belarus, Minsk
Tel: +375 17 209 9399
parker.belarus@parker.com

CA – Canada, Milton, Ontario
Tel: +1 905 693 3000

CH – Switzerland, Etoy
Tel: +41 (0) 21 821 02 30
parker.switzerland@parker.com

CN – China, Shanghai
Tel: +86 21 5031 2525

CZ – Czech Republic, Klecany
Tel: +420 284 083 111
parker.czechrepublic@parker.com

DE – Germany, Kaarst
Tel: +49 (0)2131 4016 0
parker.germany@parker.com

DK – Denmark, Ballerup
Tel: +45 43 56 04 00
parker.denmark@parker.com

ES – Spain, Madrid
Tel: +34 902 33 00 01
parker.spain@parker.com

FI – Finland, Vantaa
Tel: +358 (0)20 753 2500
parker.finland@parker.com

FR – France, Contamine s/Arve
Tel: +33 (0)4 50 25 80 25
parker.france@parker.com

GR – Greece, Athens
Tel: +30 210 933 6450
parker.greece@parker.com

HK – Hong Kong
Tel: +852 2428 8008

HU – Hungary, Budapest
Tel: +36 1 220 4155
parker.hungary@parker.com

IE – Ireland, Dublin
Tel: +353 (0)1 466 6370
parker.ireland@parker.com

IN – India, Mumbai
Tel: +91 22 6513 7081-85

IT – Italy, Corsico (MI)
Tel: +39 02 45 19 21
parker.italy@parker.com

JP – Japan, Fujisawa
Tel: +(81) 4 6635 3050

KR – South Korea, Seoul
Tel: +82 2 559 0400

KZ – Kazakhstan, Almaty
Tel: +7 7272 505 800
parker.easteurope@parker.com

LV – Latvia, Riga
Tel: +371 6 745 2601
parker.latvia@parker.com

MX – Mexico, Apodaca
Tel: +52 81 8156 6000

MY – Malaysia, Subang Jaya
Tel: +60 3 5638 1476

NL – The Netherlands, Oldenzaal
Tel: +31 (0)541 585 000
parker.nl@parker.com

NO – Norway, Ski
Tel: +47 64 91 10 00
parker.norway@parker.com

NZ – New Zealand, Mt Wellington
Tel: +64 9 574 1744

PL – Poland, Warsaw
Tel: +48 (0)22 573 24 00
parker.poland@parker.com

PT – Portugal, Leca da Palmeira
Tel: +351 22 999 7360
parker.portugal@parker.com

RO – Romania, Bucharest
Tel: +40 21 252 1382
parker.romania@parker.com

RU – Russia, Moscow
Tel: +7 495 645-2156
parker.russia@parker.com

SE – Sweden, Spånga
Tel: +46 (0)8 59 79 50 00
parker.sweden@parker.com

SG – Singapore
Tel: +65 6887 6300

SK – Slovakia, Banská Bystrica
Tel: +421 484 162 252
parker.slovakia@parker.com

SL – Slovenia, Novo Mesto
Tel: +386 7 337 6650
parker.slovenia@parker.com

TH – Thailand, Bangkok
Tel: +662 717 8140

TR – Turkey, Istanbul
Tel: +90 216 4997081
parker.turkey@parker.com

TW – Taiwan, Taipei
Tel: +886 2 2298 8987

UA – Ukraine, Kiev
Tel: +380 44 494 2731
parker.ukraine@parker.com

UK – United Kingdom, Warwick
Tel: +44 (0)1926 317 878
parker.uk@parker.com

US – USA, Cleveland (industrial)
Tel: +1 216 896 3000

US – USA, Lincolnshire (mobile)
Tel: +1 847 821 1500

VE – Venezuela, Caracas
Tel: +58 212 238 5422

ZA – South Africa, Kempton Park
Tel: +27 (0)11 961 0700
parker.southafrica@parker.com

